

ETSI EN 301 908-22 V6.1.1 (2016-07)

**IMT cellular networks;
Harmonised Standard covering the essential requirements
of article 3.2 of the Directive 2014/53/EU;
Part 22: OFDMA TDD WMAN (Mobile WiMAX™)
FDD Base Stations (BS)**

Reference

REN/MSG-TFES-11-22-RED

Keywords

3G, cell, digital, FDD, IMT, IMT-2000, mobile,
radio, regulation, WiMAX

ETSI

650 Route des Lucioles
F-06921 Sophia Antipolis Cedex - FRANCE

Tel.: +33 4 92 94 42 00 Fax: +33 4 93 65 47 16

Siret N° 348 623 562 00017 - NAF 742 C
Association à but non lucratif enregistrée à la
Sous-Préfecture de Grasse (06) N° 7803/88

Important notice

The present document can be downloaded from:
<http://www.etsi.org/standards-search>

The present document may be made available in electronic versions and/or in print. The content of any electronic and/or print versions of the present document shall not be modified without the prior written authorization of ETSI. In case of any existing or perceived difference in contents between such versions and/or in print, the only prevailing document is the print of the Portable Document Format (PDF) version kept on a specific network drive within ETSI Secretariat.

Users of the present document should be aware that the document may be subject to revision or change of status. Information on the current status of this and other ETSI documents is available at
<https://portal.etsi.org/TB/ETSIDeliverableStatus.aspx>

If you find errors in the present document, please send your comment to one of the following services:
<https://portal.etsi.org/People/CommiteeSupportStaff.aspx>

Copyright Notification

No part may be reproduced or utilized in any form or by any means, electronic or mechanical, including photocopying and microfilm except as authorized by written permission of ETSI.

The content of the PDF version shall not be modified without the written authorization of ETSI.

The copyright and the foregoing restriction extend to reproduction in all media.

© European Telecommunications Standards Institute 2016.

All rights reserved.

DECT™, **PLUGTESTS™**, **UMTS™** and the ETSI logo are Trade Marks of ETSI registered for the benefit of its Members.
3GPP™ and **LTE™** are Trade Marks of ETSI registered for the benefit of its Members and of the 3GPP Organizational Partners.
GSM® and the GSM logo are Trade Marks registered and owned by the GSM Association.

Contents

Intellectual Property Rights	6
Foreword.....	6
Modal verbs terminology.....	6
Introduction	6
1 Scope	7
2 References	7
2.1 Normative references	7
2.2 Informative references.....	7
3 Definitions, symbols and abbreviations	8
3.1 Definitions	8
3.2 Symbols.....	9
3.3 Abbreviations	10
4 Technical requirements specification	10
4.1 Environmental profile.....	10
4.2 Conformance requirements	10
4.2.1 Introduction.....	10
4.2.2 Spectrum emission mask	11
4.2.2.1 Definition	11
4.2.2.2 Limits	11
4.2.2.2.1 Requirements for 5 MHz channel bandwidth	11
4.2.2.2.2 Requirements for 10 MHz channel bandwidth.....	11
4.2.2.3 Conformance.....	12
4.2.3 Transmitter Adjacent Channel Leakage power Ratio (ACLR).....	12
4.2.3.1 Definition	12
4.2.3.2 Limits	12
4.2.3.2.1 ACLR requirements for 5 MHz channel bandwidth.....	12
4.2.3.2.2 ACLR requirements for 10 MHz channel bandwidth.....	12
4.2.3.3 Conformance.....	12
4.2.4 Transmitter spurious emissions.....	13
4.2.4.1 Definition	13
4.2.4.2 Limits	13
4.2.4.2.0 General requirements.....	13
4.2.4.2.1 Requirements for 5 MHz channel bandwidth	13
4.2.4.2.2 Requirements for 10 MHz channel bandwidth	13
4.2.4.2.3 Additional Spurious Emission Requirements	14
4.2.4.2.4 Protection of the BS receiver of own or different BS	14
4.2.4.3 Conformance.....	14
4.2.5 Base station maximum output power.....	14
4.2.5.1 Definition	14
4.2.5.2 Limits	14
4.2.5.3 Conformance.....	15
4.2.6 Transmitter Intermodulation	15
4.2.6.1 Definition	15
4.2.6.2 Limits	15
4.2.6.3 Conformance.....	15
4.2.7 Receiver spurious emissions	15
4.2.7.1 Definition	15
4.2.7.2 Limits	15
4.2.7.3 Conformance.....	16
4.2.8 Receiver Adjacent Channel Selectivity (ACS)	16
4.2.8.1 Definition	16
4.2.8.2 Limits	16
4.2.8.3 Conformance.....	16
4.2.9 Receiver blocking characteristics	17

4.2.9.1	Definition	17
4.2.9.2	Limits	17
4.2.9.3	Conformance	18
4.2.10	Receiver intermodulation characteristics	18
4.2.10.1	Definition and applicability	18
4.2.10.2	Limits	18
4.2.10.3	Conformance	19
4.2.11	Receiver reference sensitivity level	19
4.2.11.1	Definition	19
4.2.11.2	Limits	19
5	Testing for compliance with technical requirements	19
5.1	Environmental conditions for testing	19
5.2	Product information	20
5.3	Interpretation of the measurement results	20
5.4	Essential radio test suites	21
5.4.1	Transmitter Spectrum Emission Mask	21
5.4.1.1	Method of measurement	21
5.4.1.1.1	Initial conditions	22
5.4.1.1.2	Procedure	22
5.4.1.2	Test requirements	22
5.4.2	Transmitter Adjacent Channel Leakage Power Ratio	23
5.4.2.1	Method of measurement	23
5.4.2.1.1	Initial conditions	23
5.4.2.1.2	Procedure	23
5.4.2.2	Test requirements	24
5.4.3	Transmitter spurious emissions	24
5.4.3.1	Method of measurement	24
5.4.3.1.1	Initial conditions	25
5.4.3.1.2	Procedure	25
5.4.3.2	Test requirements	25
5.4.4	Base Station maximum output power	25
5.4.4.1	Method of measurement	26
5.4.4.1.1	Initial conditions	26
5.4.4.1.2	Procedure	26
5.4.4.2	Test requirements	26
5.4.5	Transmitter Intermodulation	27
5.4.5.1	Method of measurement	27
5.4.5.1.1	Initial conditions	27
5.4.5.1.2	Procedure	27
5.4.5.2	Test requirements	27
5.4.6	Receiver spurious emissions	28
5.4.6.1	Method of measurement	28
5.4.6.1.1	Initial conditions	28
5.4.6.1.2	Procedure	28
5.4.6.2	Test requirements	29
5.4.7	Receiver Adjacent Channel Selectivity (ACS)	29
5.4.7.1	Method of measurement	29
5.4.7.1.1	Initial conditions	29
5.4.7.1.2	Procedure	29
5.4.7.2	Test requirements	30
5.4.8	Receiver blocking characteristics	30
5.4.8.1	Method of measurement	30
5.4.8.1.1	Initial conditions	31
5.4.8.1.2	Procedure	31
5.4.8.2	Test requirements	31
5.4.9	Receiver intermodulation characteristics	31
5.4.9.1	Method of measurement	32
5.4.9.1.1	Initial conditions	32
5.4.9.1.2	Procedure	32
5.4.9.2	Test requirements	33
5.4.10	Receiver reference sensitivity level	33

5.4.10.1	Method of test	33
5.4.10.2	Test requirement	33
Annex A (normative):	Relationship between the present document and the essential requirements of Directive 2014/53/EU	34
Annex B (normative):	Environmental profile specification	35
Annex C (informative):	Void	36
Annex D (informative):	Bibliography	37
History		38

Intellectual Property Rights

IPRs essential or potentially essential to the present document may have been declared to ETSI. The information pertaining to these essential IPRs, if any, is publicly available for **ETSI members and non-members**, and can be found in ETSI SR 000 314: "*Intellectual Property Rights (IPRs); Essential, or potentially Essential, IPRs notified to ETSI in respect of ETSI standards*", which is available from the ETSI Secretariat. Latest updates are available on the ETSI Web server (<https://ipr.etsi.org/>).

Pursuant to the ETSI IPR Policy, no investigation, including IPR searches, has been carried out by ETSI. No guarantee can be given as to the existence of other IPRs not referenced in ETSI SR 000 314 (or the updates on the ETSI Web server) which are, or may be, or may become, essential to the present document.

Foreword

This Harmonised European Standard (EN) has been produced by ETSI Technical Committee Mobile Standards Group (MSG).

The present document has been prepared under the Commission's standardisation request C(2015) 5376 final [i.7] to provide one voluntary means of conforming to the essential requirements of Directive 2014/53/EU on the harmonisation of the laws of the Member States relating to the making available on the market of radio equipment and repealing Directive 1999/5/EC [i.2].

Once the present document is cited in the Official Journal of the European Union under that Directive, compliance with the normative clauses of the present document given in table A-1 confers, within the limits of the scope of the present document, a presumption of conformity with the corresponding essential requirements of that Directive, and associated EFTA regulations.

The present document is part 22 of a multi-part deliverable. Full details of the entire series can be found in part 1 [i.8].

National transposition dates	
Date of adoption of this EN:	12 July 2016
Date of latest announcement of this EN (doa):	31 October 2016
Date of latest publication of new National Standard or endorsement of this EN (dop/e):	30 April 2017
Date of withdrawal of any conflicting National Standard (dow):	30 April 2018

Modal verbs terminology

In the present document "**shall**", "**shall not**", "**should**", "**should not**", "**may**", "**need not**", "**will**", "**will not**", "**can**" and "**cannot**" are to be interpreted as described in clause 3.2 of the [ETSI Drafting Rules](#) (Verbal forms for the expression of provisions).

"**must**" and "**must not**" are **NOT** allowed in ETSI deliverables except when used in direct citation.

Introduction

The present document is part of a set of standards developed by ETSI that are designed to fit in a modular structure to cover radio equipment within the scope of the Radio Equipment Directive [i.2]. The present document is produced following the guidance in ETSI EG 203 336 [i.3] as applicable.

1 Scope

The present document applies to the following radio equipment type:

- Mobile WiMAX™ FDD Base Stations for IMT-OFDMA TDD WMAN This radio equipment type is capable of operating in all or any part of the frequency bands given in table 1-1.

Table 1-1: Base Station WiMAX™ FDD Operating frequency bands

Mobile WiMAX™ Band Class Index	Direction of transmission	Mobile WiMAX™ FDD frequency bands
7G	Transmit	925 MHz to 960 MHz
	Receive	880 MHz to 915 MHz
6C	Transmit	1 805 MHz to 1 880 MHz
	Receive	1 710 MHz to 1 785 MHz

The present document contains requirements to demonstrate that Radio equipment both effectively uses and supports the efficient use of radio spectrum in order to avoid harmful interference.

In addition to the present document, other ENs that specify technical requirements in respect of essential requirements under other parts of article 3 of the Radio Equipment Directive 2014/53/EU [i.2] may apply to equipment within the scope of the present document.

NOTE: A list of such ENs is included on the web site <http://www.newapproach.org>.

2 References

2.1 Normative references

References are either specific (identified by date of publication and/or edition number or version number) or non-specific. For specific references, only the cited version applies. For non-specific references, the latest version of the referenced document (including any amendments) applies.

Referenced documents which are not found to be publicly available in the expected location might be found at <http://docbox.etsi.org/Reference>.

NOTE: While any hyperlinks included in this clause were valid at the time of publication ETSI cannot guarantee their long term validity.

The following referenced documents are necessary for the application of the present document.

- [1] WMF-T25-002-R010v06 (2012): "WiMAX Forum® Test Procedures - Mobile Radio Conformance Tests" - Release 1 v06.
- [2] CEPT/ERC/Recommendation 74-01E (Siófok 98, Nice 99, Sesimbra 02, Hradec Kralove 05, Cardiff 11) (01-2011): "Unwanted emissions in the spurious domain".

2.2 Informative references

References are either specific (identified by date of publication and/or edition number or version number) or non-specific. For specific references, only the cited version applies. For non-specific references, the latest version of the referenced document (including any amendments) applies.

NOTE: While any hyperlinks included in this clause were valid at the time of publication ETSI cannot guarantee their long term validity.

The following referenced documents are not necessary for the application of the present document but they assist the user with regard to a particular subject area.

- [i.1] Recommendation ITU-R SM.329-12 (2012): "Unwanted emissions in the spurious domain".
- [i.2] Directive 2014/53/EU of the European Parliament and of the Council of 16 April 2014 on the harmonisation of the laws of the Member States relating to the making available on the market of radio equipment and repealing Directive 1999/5/EC Text with EEA relevance.
- [i.3] ETSI EG 203 336: "Electromagnetic compatibility and Radio spectrum Matters (ERM); Guide for the selection of technical parameters for the production of Harmonised Standards covering article 3.1(b) and article 3.2 of Directive 2014/53/EU".
- [i.4] ETSI TR 102 215 (V1.3.1): "Electromagnetic compatibility and Radio spectrum Matters (ERM); Recommended approach, and possible limits for measurement uncertainty for the measurement of radiated electromagnetic fields above 1 GHz".
- [i.5] ETSI EN 300 019-1-0: "Environmental Engineering (EE); Environmental conditions and environmental tests for telecommunications equipment; Part 1-0: Classification of environmental conditions; Introduction".
- [i.6] ETSI TR 100 028 (V1.4.1) (all parts): "Electromagnetic compatibility and Radio spectrum Matters (ERM); Uncertainties in the measurement of mobile radio equipment characteristics".
- [i.7] Commission Implementing Decision C(2015) 5376 final of 4.8.2015 on a standardisation request to the European Committee for Electrotechnical Standardisation and to the European Telecommunications Standards Institute as regards radio equipment in support of Directive 2014/53/EU of the European Parliament and of the Council.
- [i.8] ETSI EN 301 908-1 (V11.1.1): "IMT cellular networks; Harmonised Standard covering the essential requirements of article 3.2 of the Directive 2014/53/EU; Part 1: Introduction and common requirements".

3 Definitions, symbols and abbreviations

3.1 Definitions

For the purposes of the present document, the terms and definitions given in the Radio Equipment Directive 2014/53/EU [i.2] and the following apply:

burst: period during which radio waves are intentionally transmitted, preceded and succeeded by periods during which no intentional transmission is made

environmental profile: declared range of environmental conditions under which equipment within the scope of the present document is required to be compliant

Eval_BW1: test condition where the pass band of a rectangular filter with a bandwidth of 4,75 MHz for 5 MHz equipment and 9,5 MHz for 10 MHz equipment is used for measurement centred on an operating channel or a victim channel

integral antenna: antenna which is declared to be part of the radio equipment by the manufacturer

NOTE: Even when equipment with an integral antenna is concerned, it might still be possible to separate the antenna from the equipment using a special tool. In such cases the assessment of the radio equipment and of the antenna against requirements of this multi-part deliverable may be done separately.

maximum output power: mean power level per carrier of the base station or user equipment measured at the antenna connector in a specified reference condition

mean power: power (transmitted or received) in a bandwidth, when applied to a modulated signal

NOTE: The term "mean" here is used to exclude the amplitude fluctuation related to those theoretical variations present in signal for example due to amplitude modulation, pulse shaping, pre-equalization, etc. Time averaging should be applied to estimate mean power with the effect of the theoretical variations. The duty cycle corresponding to burst activity within a frame should be also incorporated for "mean" power estimation.

nominal maximum output power: maximum nominal mean power level measured over total allocated channel bandwidth of the Base Station available at the antenna connector declared by the manufacturer; for equipment implementing dynamic change of modulation format, it is intended as the maximum nominal mean power associated to the modulation format delivering the highest power

receiver thermal noise power: equal to $k \times T \times BW \times F$

WiMAX™: trademarked name for the OFDMA TDD WMAN IMT technology

NOTE: WiMAX™ is an example of a suitable technology available commercially. This information is given for the convenience of users of the present document and does not constitute an endorsement by ETSI of this technology.

3.2 Symbols

For the purposes of the present document, the following symbols apply:

A_{BS}	Base Station Interface A
A_{MS}	Mobile Station Interface A
A_{UUT}	Unit Under Test Interface A
BW	Assigned channel bandwidth
dB	decibel
dBc	decibel relative to P_{nom} carrier power measured in Eval_BW1
dBm	decibel relative to 1 milliwatt
f	Frequency of measurement
F_c	centre frequency of the assigned channel
F	Receiver noise figure
F_{UL_low}	The lowest frequency of the uplink operating band

NOTE: See table 4.2.2.2.2-1.

F_{UL_high}	The highest frequency of the uplink operating band
----------------	--

NOTE: See table 4.2.2.2.2-1.

k	Boltzmann's constant M_{BS}
	Base Station Interface M
M_{MS}	Mobile Station Interface M
N	Maximum number of antennas in a multiple antenna configuration
N_{th}	Receiver thermal noise power expressed in dBm
P_{SENS}	Receiver sensitivity level at $BER \leq 10^{-6}$ (or equivalent PER) performance for an AWGN channel, corresponding to the most robust modulation and coding rate supported by the technology declared nominal maximum output Power
P_{nom}	
P_{SENS5}	sensitivity levels at $BER \leq 10^{-6}$, for a 5 MHz channel, corresponding to the most robust modulation and coding rate supported by the technology
P_{SENS10}	sensitivity levels at $BER \leq 10^{-6}$, for a 10 MHz channel, corresponding to the most robust modulation and coding rate supported by the technology
T	Ambient temperature in Kelvin

3.3 Abbreviations

For the purposes of the present document, the following abbreviations apply:

ACLR	Adjacent Channel Leakage power Ratio
ACS	Adjacent Channel Selectivity
AWGN	Additive White Gaussian Noise
BER	Bit Error Ratio
BS	Base Station
BW	BandWidth
CW	Continuous Wave
EFTA	European Free Trade Association
ERM	Electromagnetic compatibility and Radio spectrum Matters
EUT	Equipment Under Test
FDD	Frequency Division Duplexing
GHz	GigaHertz
IMT	International Mobile Telecommunications
ITU-R	International Telecommunications Union - Radiocommunications sector
MHz	MegaHertz
MS	Mobile Station
MSG	Mobile Standards Group
OFDMA	Orthogonal Frequency Division Multiple Access
PER	Packet Error Ratio
RED	Radio Equipment Directive
RF	Radio Frequency RMS Root Mean Square
TDD	Time Division Duplex
TFES	Task Force for European Standards for IMT
TPC	Transmit Power Control
UL	Uplink
UUT	Unit Under Test
WMAN	Wireless Metropolitan Area Network

4 Technical requirements specification

4.1 Environmental profile

The technical requirements of the present document apply under the environmental profile for operation of the equipment, which shall be declared by the manufacturer. The equipment shall comply with all the technical requirements of the present document at all times when operating within the boundary limits of the declared operational environmental profile.

4.2 Conformance requirements

4.2.1 Introduction

To meet the essential requirement under article 3.2 of the Directive 2014/53/EU [i.2] (Radio Equipment Directive) for IMT Base Stations (BS), a set of essential parameters in addition to those in ETSI EN 301 908-1 [i.8] have been identified. Table 4.2.1-1 provides a cross reference between these essential parameters and the corresponding technical requirements for equipment within the scope of the present document. To fulfil an essential parameter the compliance with all the corresponding technical requirements in table 4.2.1-1 shall be verified.

Table 4.2.1-1: Cross references

Essential parameter	Corresponding technical requirements	Corresponding test suite
Transmitter spectrum mask	4.2.2 Transmitter Spectrum emissions mask	5.4.1
Transmitter unwanted emissions in the out of band domain	4.2.3 Transmitter adjacent channel leakage power ratio	5.4.2
Transmitter unwanted emissions in the spurious domain	4.2.4 Transmitter spurious emissions	5.4.3
Transmitter power limits	4.2.5 Transmitter maximum output power	5.4.4
Transmitter power accuracy		
Transmit intermodulation attenuation	4.2.6 Transmitter intermodulation	5.4.5
Receiver unwanted emissions in the spurious domain	4.2.7 Receiver spurious emissions	5.4.6
Receiver blocking	4.2.9 Receiver Blocking characteristics	5.4.8
Receiver desensitization		
Receiver radio-frequency intermodulation	4.2.10 Receiver Intermodulation characteristics	5.4.9
Receiver adjacent signal selectivity	4.2.8 Receiver Adjacent Channel Selectivity (ACS)	5.4.7
Receiver sensitivity	4.2.11 Receiver Reference Sensitivity level	5.4.10

4.2.2 Spectrum emission mask

4.2.2.1 Definition

Spectrum emission mask defines an out of band emission requirement for the transmitter. These out of band emissions are unwanted emissions outside the channel bandwidth resulting from the modulation process and non-linearity in the transmitter but excluding spurious emissions.

4.2.2.2 Limits

A Base Station device transmitting on a single RF carrier configured in accordance with the manufacturer's specification shall meet the requirement. Emissions shall not exceed the maximum level specified in tables 4.2.2.2.1-1 and 4.2.2.2.2-1 for the appropriate BS maximum output power and nominal channel bandwidths of 5 MHz and 10 MHz.

4.2.2.2.1 Requirements for 5 MHz channel bandwidth

The out-of-channel emission is specified as power level measured over the specified measurement bandwidth but relative to dBc centred in the 5 MHz channel.

The power of any BS emission shall not exceed the levels specified in table 4.2.2.2.1-1.

Table 4.2.2.2.1-1: Spectrum emission mask requirement

Segment number	Offset Δf from channel centre (MHz)	Integration bandwidth (kHz)	Allowed emission level within the integration bandwidth (dBm)
1	2,5 to < 2,7	30	-14
2	2,7 to < 3,5	30	-14 - 15 ($\Delta f - 2,715$)
3	3,5 to < 4,0	30	-26
4	7,5 to \leq 12,5	1 000	-13

4.2.2.2.2 Requirements for 10 MHz channel bandwidth

The out-of-channel emission is specified as a power level relative to dBc centred in the 10 MHz channel.

The power of any BS emission shall not exceed the levels specified in table 4.2.2.2.2-1.

Table 4.2.2.2-1: Spectrum emission mask requirement

Segment number	Offset Δf from channel centre (MHz)	Integration bandwidth (kHz)	Allowed emission level within the integration bandwidth (dBm)
1	5,0 to < 5,2	30	-14
2	5,2 to < 6,0	30	-14 - 15 ($\Delta f - 2,715$)
3	6,0 to < 6,5	30	-26
4	6,5 to < 15,0	1 000	-13
5	15,0 to \leq 25,0	1 000	-15

NOTE: As an exception, in the band 925 MHz to 960 MHz, the maximum extent to which the emission mask Segment 5 extends above the downlink band is limited to +10 MHz outside the upper downlink band edge. Beyond this point, the spurious emission requirements of clause 4.2.4 shall be applied.

4.2.2.3 Conformance

Conformance tests described in clause 5.4.1 shall be carried out.

4.2.3 Transmitter Adjacent Channel Leakage power Ratio (ACLR)

4.2.3.1 Definition

Adjacent Channel Leakage power Ratio (ACLR) is the ratio of the mean power measured through a filter pass band centred on the assigned channel frequency to the mean power measured through a filter pass band centred on the first adjacent channel. The filter pass band, response and nominal bandwidth are set according to Eval_BW 1.

4.2.3.2 Limits

4.2.3.2.1 ACLR requirements for 5 MHz channel bandwidth

For 5 MHz BW the ACLR shall be equal to or greater than the limits specified in table 4.2.3.2.1-1.

Table 4.2.3.2.1-1: Base Station ACLR limits for 5 MHz channel BW

Adjacent channel	ACLR limit relative to assigned channel frequency (dB)
	ACLR limit for Eval_BW 1
$F_c \pm 5,0$ MHz	44,2
$F_c \pm 10,0$ MHz	49,2

4.2.3.2.2 ACLR requirements for 10 MHz channel bandwidth

For 10 MHz BW the ACLR shall be equal to or greater than the limits specified in table 4.2.3.2.2-1.

Table 4.2.3.2.2-1: Base Station ACLR limits for 10 MHz Channel BW

Adjacent channel	ACLR limit relative to assigned channel frequency (dB)
	ACLR limit for Eval_BW 1
$F_c \pm 10,0$ MHz	44,2
$F_c \pm 20,0$ MHz	49,2

4.2.3.3 Conformance

Conformance tests described in clause 5.4.2 shall be carried out.

4.2.4 Transmitter spurious emissions

4.2.4.1 Definition

Transmitter spurious emissions are emissions which are caused by unwanted transmitter effects such as harmonics emission, parasitic emission, intermodulation products and frequency conversion products, but exclude out of band emissions. This conducted measurement is measured at the RF output port. The spurious emission limits are specified in terms of general requirements in line with Recommendation ITU-R SM.329-10 [i.1] and frequency range specific requirements to address inter-system co-existence.

4.2.4.2 Limits

4.2.4.2.0 General requirements

The requirements shall apply to both Wide Area BS and Local Area BS.

The limits of spurious emissions (or more precisely, according latest ITU-R definitions, unwanted emissions in the spurious domain), shall conform to CEPT/ERC/Recommendation 74-01 [2].

The following requirements in tables 4.2.4.2.1-1, 4.2.4.2.2-1 and 4.2.4.2.3-1 are only applicable for frequencies, which are greater than 250 % of the channel bandwidth (that is 12,5 MHz for the 5 MHz channel bandwidth and 25 MHz for the 10 MHz channel bandwidth) away from the carrier centre frequency. In the following f_c is the centre frequency of transmit signal and f is the frequency of spurious emission. BW is the channel bandwidth of choice, i.e. 5 MHz or 10 MHz.

4.2.4.2.1 Requirements for 5 MHz channel bandwidth

Table 4.2.4.2.1-1: Spurious Emission requirement for 5 MHz channel bandwidth

Segment	Frequency Range	Measurement Bandwidth	Maximum allowed level (dBm)
1	$9 \text{ kHz} \leq f < 150 \text{ kHz}$	1 kHz	-36
2	$150 \text{ kHz} \leq f < 30 \text{ MHz}$	10 kHz	-36
3	$30 \text{ MHz} \leq f < 1\,000 \text{ MHz}$	100 kHz	-36
4	$1 \text{ GHz} \leq f < 12,75 \text{ GHz}$	30 kHz If $12,5 \text{ MHz} \leq f_c - f < 50 \text{ MHz}$ 300 kHz If $50 \text{ MHz} \leq f_c - f < 60 \text{ MHz}$ 1 MHz If $60 \text{ MHz} \leq f_c - f $	-30

4.2.4.2.2 Requirements for 10 MHz channel bandwidth

Table 4.2.4.2.2-1: Spurious Emission requirement for 10 MHz channel bandwidth

Segment	Frequency Range	Measurement Bandwidth	Maximum allowed level (dBm)
1	$9 \text{ kHz} \leq f < 150 \text{ kHz}$	1 kHz	-36
2	$150 \text{ kHz} \leq f < 30 \text{ MHz}$	10 kHz	-36
3	$30 \text{ MHz} \leq f < 1\,000 \text{ MHz}$	100 kHz	-36
4	$1 \text{ GHz} \leq f < 12,75 \text{ GHz}$	30 kHz If $25 \text{ MHz} \leq f_c - f < 100 \text{ MHz}$ 300 kHz If $100 \text{ MHz} \leq f_c - f < 120 \text{ MHz}$ 1 MHz If $120 \text{ MHz} \leq f_c - f $	-30

4.2.4.2.3 Additional Spurious Emission Requirements

Table 4.2.4.2.3-1: Additional spurious emissions requirements for BS (out of band)

Band (MHz)	Maximum Emission Level (dBm)	Measurement Bandwidth (MHz)
$791 \leq f < 821$	-52	1
$832 \leq f < 862$	-49	1
$876 \leq f < 915$	-51	1
$880 \leq f < 915$	-49	1
$921 \leq f < 925$	-47	1
$925 \leq f < 960$	-52	1
$1\ 710 \leq f < 1\ 785$	-49	1
$1\ 805 \leq f < 1\ 880$	-52	1
$1\ 920 \leq f < 1\ 980$	-49	1
$2\ 110 \leq f < 2\ 170$	-52	1
$1\ 900 \leq f < 1\ 920$	-49	1
$2\ 010 \leq f < 2\ 025$	-52	1
$2\ 500 \leq f < 2\ 570$	-49	1
$2\ 570 \leq f < 2\ 620$	-52	1
$2\ 620 \leq f < 2\ 690$	-52	1

4.2.4.2.4 Protection of the BS receiver of own or different BS

This requirement shall be applied in order to prevent the receivers of the BSs being desensitized by emissions from a BS transmitter.

The power of any spurious emission shall not exceed the limit specified in table 4.2.4.2.4-1.

Table 4.2.4.2.4-1: BS emissions limits for spurious protection of the BS receiver

Frequency Range	Maximum Level	Measurement Bandwidth	Note
$F_{UL_low} - F_{UL_high}$	-96 dBm	100 kHz	
NOTE: F_{UL_low} and F_{UL_high} are the lowest and highest frequency of the WiMAX™ BS uplink operating band respectively.			

4.2.4.3 Conformance

Conformance tests described in clause 5.4.3 shall be carried out.

4.2.5 Base station maximum output power

4.2.5.1 Definition

The nominal maximum output power (P_{nom}) is the nominal mean power level measured over total allocated channel bandwidth available at the antenna connector.

The tolerance of the output power is the difference between the declared P_{nom} and the actual maximum output power, with the corresponding tolerance limits.

4.2.5.2 Limits

The requirement shall apply to both Wide Area BS and Local Area BS.

In normal conditions, the measured output power, derived according to clause 5.4.4.1.2, shall remain within +2,7 dB and -2,7 dB of the manufacturer's rated output power.

In extreme conditions, the measured output power, derived according to clause 5.4.4.1.2, shall remain within +3,2 dB and -3,2 dB of the manufacturer's rated output power.

4.2.5.3 Conformance

Conformance tests described in clause 5.4.4 shall be carried out.

4.2.6 Transmitter Intermodulation

4.2.6.1 Definition

The transmit intermodulation requirement is a measure of the capability of the transmitter to inhibit the generation of signals in its non-linear elements caused by presence of the own transmit signal and an interfering signal reaching the transmitter via the antenna.

The transmit intermodulation level is the power of the intermodulation products when a modulated interference signal is injected into the antenna connector at a mean power level of 30 dB lower than that of the mean power of the wanted signal. The wanted signal bandwidth shall be 5 MHz and 10 MHz respectively. The interferer has the same bandwidth as the wanted signal.

For 5 MHz channel BW, the centre frequency of the interference signal offset from the subject signal carrier centre frequency shall be at ± 5 MHz, ± 10 MHz, ± 15 MHz (± 10 MHz, ± 20 MHz, ± 30 MHz for 10 MHz channel BW) but exclude interference frequencies that are partially or completely outside of the declared operating frequency band of the base station.

4.2.6.2 Limits

With the test signal applied the spectrum emission mask, ACLR and spurious emission requirements, at 3rd and 5th intermodulation frequencies not overlapping the interfering signal, shall continue to meet the limits in clauses 4.2.2.2, 4.2.3.2 and 4.2.4.2.

4.2.6.3 Conformance

Conformance tests described in clause 5.4.5 shall be carried out.

4.2.7 Receiver spurious emissions

4.2.7.1 Definition

The spurious emissions power is the power of emissions, generated or amplified in a receiver, which appear at the BS antenna connector. The requirements apply to all BS with separate Rx and Tx antenna port. The test shall be performed when both Tx and Rx are on with the Tx port terminated.

For BS equipped with only a single antenna connector for both transmitter and receiver, the requirements of clause 4.2.4 Transmitter spurious emissions shall apply to this port, and this test need not be performed.

The following requirements in table 4.2.7.2-1 are only applicable for frequencies, which are greater than 250 % of the channel bandwidth (that is 12,5 MHz for the 5 MHz channel bandwidth and 25 MHz for the 10 MHz channel bandwidth) away from the centre carrier frequency.

4.2.7.2 Limits

The requirement shall apply to both Wide Area BS and Local Area BS.

The limits of spurious emissions (or more precisely, according latest ITU-R definitions, unwanted emissions in the spurious domain), shall conform to CEPT/ERC/Recommendation 74-01 [2].

Table 4.2.7.2-1 lists the receiver spurious emission requirements where f_c is the centre frequency of transmit signal and f is the frequency of spurious emission. BW is the channel bandwidth of choice, i.e. 5 MHz or 10 MHz.

Table 4.2.7.2-1: General receiver spurious emissions requirements

Frequency band	Measurement bandwidth	Maximum Level
30 MHz \leq f < 1 GHz	100 kHz	-57 dBm
1 GHz \leq f \leq 12,75 GHz	1 MHz	-47 dBm

4.2.7.3 Conformance

Conformance tests described in clause 5.4.6 shall be carried out.

4.2.8 Receiver Adjacent Channel Selectivity (ACS)

4.2.8.1 Definition

The receiver adjacent and 2nd Adjacent Channel Selectivity (ACS) is a measure of the receiver's ability to receive a wanted signal at its assigned channel frequency in the presence of an adjacent channel signal at a given frequency offset from the centre frequency of the assigned channel. ACS is the interferer power level (in dB) relative to thermal noise (N_{th}).

To reference the receiver adjacent and 2nd adjacent channel selectivity values properly, a sensitivity level is defined as the signal level for Bit Error Ratio (BER) $\leq 10^{-6}$ (or equivalent PER) performance for AWGN channel, over the channel bandwidth (5 MHz or 10 MHz), corresponding to the most robust modulation and coding rate supported by the technology.

N_{th} is the receiver thermal noise of the equipment as declared by the manufacturer and is equal to $kTBwF$ with Bw is the bandwidth of the equipment and F is the receiver noise figure.

4.2.8.2 Limits

Tables 4.2.8.2-1 and 4.2.8.2-2 specifies the limits and the test parameters for the receiver ACS in the first adjacent channel and 2nd adjacent channels for 5 MHz and 10 MHz channel bandwidths, respectively. For an assigned channel bandwidth of 5 MHz, and interferer channel bandwidth of 5 MHz is used and for an assigned channel bandwidth of 10 MHz, and interferer channel bandwidth of 10 MHz is used. All the measurements are conducted over 95 % of the channel. The compliant system shall be able to meet a Bit Error Ratio (BER) $< 10^{-6}$ (or equivalent PER) with the interference levels specified in the tables. Alternatively depending on packet sizes supported, equivalent Packet Error Ratio (PER) criteria can be used.

Table 4.2.8.2-1: Limits and test parameters for receiver adjacent channel selectivity for 5 MHz channel bandwidth

Description	In-channel	Interferer on 1 st adjacent channel	Interferer on 2 nd adjacent channel
ACS limits (dB)		46	56
Power (dBm)	$P_{SENS} + 3$	$N_{th} + 46$	$N_{th} + 56$
Centre frequency (MHz)	f_c	$f_c \pm 5$ MHz	$f_c \pm 10$ MHz

Table 4.2.8.2-2: Limits and test parameters for receiver adjacent channel selectivity for 10 MHz channel bandwidth

Description	In-channel	Interferer on 1 st adjacent channel	Interferer on 2 nd adjacent channel
ACS limits (dB)		46	56
Power (dBm)	$P_{SENS} + 3$	$N_{th} + 46$	$N_{th} + 56$
Centre frequency (MHz)	f_c	$f_c \pm 10$ MHz	$f_c \pm 20$ MHz

4.2.8.3 Conformance

Conformance tests described in clause 5.4.7 shall be carried out.

4.2.9 Receiver blocking characteristics

4.2.9.1 Definition

The blocking characteristics is a measure of the receiver ability to receive a wanted signal at its assigned channel frequency in the presence of an unwanted interferer on frequencies other than those of the adjacent channels. The blocking performance requirement applies to interfering signals with centre frequency within the ranges specified in the tables below, using a 1 MHz step size. The blocking performance shall apply to all frequencies except those at which a spurious response occur.

P_{SENS5} and P_{SENS10} are the sensitivity levels at $\text{BER} \leq 10^{-6}$, for 5 MHz and 10 MHz channels respectively, corresponding to the most robust modulation and coding rate supported by the Base Station. The wanted signal with the most robust modulation and coding supported by the BS shall be used.

4.2.9.2 Limits

The wanted signal with the most robust modulation and coding supported by the BS shall be used.

BER performance requirement at $\text{BER} \leq 10^{-6}$ (or equivalent PER) shall be met when the following signals are coupled to BS antenna input:

- A wanted signal at the assigned channel frequency, with mean power 6 dB above P_{SENS5} .
- Interfering signal with the following parameters.

Table 4.2.9.2-1: Receiver In-Band Blocking Limits for 5 MHz channel bandwidth at 900 MHz

Centre frequency of interfering signal (MHz)	Interfering signal mean power (dBm)	Wanted signal mean power (dB)	Minimum offset of interfering signal from the channel edge (MHz)	Type of interfering signal
860 to 925	-40	$P_{\text{SENS5}} + 6$	12,5	Modulation and coding equal to wanted signal
1 to 860 925 to 12 750	-15	$P_{\text{SENS5}} + 6$	12,5	CW carrier

Table 4.2.9.2-2: Receiver In-Band Blocking Limits for 5 MHz channel bandwidth at 1 800 MHz

Centre frequency of interfering signal (MHz)	Interfering signal mean power (dBm)	Wanted signal mean power (dB)	Minimum offset of interfering signal from the channel edge (MHz)	Type of interfering signal
1 690 to 1 805	-40	$P_{\text{SENS5}} + 6$	12,5	Modulation and coding equal to wanted signal
1 to 1 690 1 805 to 12 750	-15	$P_{\text{SENS5}} + 6$	12,5	CW carrier

BER performance requirement at $\text{BER} \leq 10^{-6}$ (or equivalent PER) shall be met when the following signals are coupled to BS antenna input.

- A wanted signal at the assigned channel frequency, with mean power 6 dB above P_{SENS10} .
- Interfering signal with the following parameters.

Table 4.2.9.2-3: Receiver In-Band Blocking Limits for 10 MHz channel bandwidth at 900 MHz

Centre frequency of interfering signal (MHz)	Interfering signal mean power (dBm)	Wanted signal mean power (dB)	Minimum offset of interfering signal from the channel edge (MHz)	Type of interfering signal
860 to 925	-40	$P_{\text{SENS10}} + 6$	25	Modulation and coding equal to wanted signal
1 to 860 925 to 12 750	-15	$P_{\text{SENS10}} + 6$	25	CW carrier

Table 4.2.9.2-4: Receiver In-Band Blocking Limits for 10 MHz channel bandwidth at 1 800 MHz

Centre frequency of interfering signal (MHz)	Interfering signal mean power (dBm)	Wanted signal mean power (dB)	Minimum offset of interfering signal from the channel edge (MHz)	Type of interfering signal
1 690 to 1 805	-40	$P_{\text{SENS10}} + 6$	25	Modulation and coding equal to wanted signal
1 to 1 690 1 805 to 12 750	-15	$P_{\text{SENS10}} + 6$	25	CW carrier

4.2.9.3 Conformance

Conformance tests described in clause 5.4.8 shall be carried out.

4.2.10 Receiver intermodulation characteristics

4.2.10.1 Definition and applicability

Third and higher order mixing of two interfering RF signals can produce an interfering signal in the band of the desired channel. Intermodulation response rejection is a measure of the capability of the receiver to receive a wanted signal on its assigned channel frequency in the presence of two or more interfering signals which have a specific frequency relationship to the wanted signal.

4.2.10.2 Limits

P_{SENS5} and P_{SENS10} are the sensitivity levels at $\text{BER} \leq 10^{-6}$, for 5 MHz and 10 MHz channels respectively, corresponding to the most robust modulation and coding rate supported by the base station.

BER performance requirement at $\text{BER} \leq 10^{-6}$ (or equivalent PER) shall be met when the following signals are coupled to BS antenna input.

- A wanted signal at the assigned channel frequency, with mean power 6 dB above P_{SENS5} .
- Two interfering signals with the following parameters.

Table 4.2.10.2-1: Receiver intermodulation characteristics for 5 MHz channel bandwidth

Interfering signal mean power	Offset of interfering signal centre frequency from the channel edge	Type of interfering signal
-48 dBm	7,5 MHz	CW signal
-48 dBm	17,5 MHz	Modulation and coding equal to those of the wanted signal

BER performance requirement at $\text{BER} \leq 10^{-6}$ (or equivalent PER) shall be met when the following signals are coupled to BS antenna input.

- A wanted signal at the assigned channel frequency, with mean power 6 dB above P_{SENS10} .

- Two interfering signals with the following parameters.

Table 4.2.10.2-2: Receiver intermodulation characteristics for 10 MHz channel bandwidth

Interfering signal mean power	Offset of interfering signal centre frequency from the channel edge	Type of interfering signal
-48 dBm	15 MHz	CW signal
-48 dBm	35 MHz	Modulation and coding equal to those of the wanted signal

4.2.10.3 Conformance

Conformance tests described in clause 5.4.9 shall be carried out.

4.2.11 Receiver reference sensitivity level

4.2.11.1 Definition

The reference sensitivity power level is the minimum mean power received at the BS receiver input connector at which a reference performance requirement shall be met for specified reference measurement channels.

4.2.11.2 Limits

The reference sensitivity level is the minimum mean power received at the BS receiver input connector at which the Packet Error Rate (PER) shall not exceed a specific value.

The reference sensitivity level requirement tests are defined within WiMAX Forum® document WMF-T25-002-R010v06 [1].

The limits are detailed in the items below of this document:

- Clause 10.1.6: BS receiver sensitivity.
- Appendix 1 (This section provides generic test packets, receiver sensitivity requirements, Bit Error Rate (BER) to Packet Error Rate (PER) conversion and Qualitative tests versus Functional tests methodology).
- Appendix 3 (A 3.1 Measuring PER for MS. A 3.2 Measuring PER for BS).

5 Testing for compliance with technical requirements

5.1 Environmental conditions for testing

The technical requirements of the present document apply under the environmental profile, for intended operation of the equipment and antennas, declared by the manufacturer.

The environmental profile may be determined by the environmental class of the equipment according to the guidance given in ETSI EN 300 019-1-0 [i.5].

The combination of the equipment and its antennas shall comply with all the requirements of the present document at all times when operating within the boundary limits of the declared operational environmental profile.

5.2 Product information

The following information shall be stated by the manufacturer in order to carry out the test suites:

- the operating RF channel centre frequency range of the equipment;
- the nominal occupied channel bandwidth;
- the modulation format(s) employed by the equipment;
- the nominal maximum output power (P_{nom}) from the equipment and power class;
- the operational environmental profile(s) applicable to the equipment;
- the TPC range(s);
- the receiver sensitivity levels P_{SENS5} and P_{SENS10} ;
- the equipment receiver thermal noise power N_{th} (in dBm).

5.3 Interpretation of the measurement results

The interpretation of the results recorded in a test report for the measurements described in the present document shall be as follows:

- the measured value related to the corresponding limit will be used to decide whether the Base Station meets the requirements of the present document;
- the value of the measurement uncertainty for the measurement of each parameter shall be included in the test report;
- the recorded value of the measurement uncertainty shall be, for each measurement, equal to or lower than the figures in table 5.3-1.

For the test methods, according to the present document, the measurement uncertainty figures shall be calculated in accordance with the principles contained within ETSI TR 100 028 [i.6] or ETSI TR 102 215 [i.4] as appropriate and shall correspond to an expansion factor (coverage factor) $k = 1,96$ or $k = 2$ (which provides a confidence level of 95 % and 95,45 % in the case where the distributions characterizing the actual measurement uncertainties are normal (Gaussian)). Offset of interfering signal centre frequency from the channel edge.

Table 5.3-1 is based on such expansion factors.

Table 5.3-1: Maximum measurement uncertainty of the test system

Parameter	Conditions	Uncertainty
Transmitter spectrum emission mask		±1,5 dB
Transmitter adjacent channel leakage power ratio (ACLR)		±0,8 dB
Base Station maximum output power		±0,7 dB
Transmitter spurious emissions	9 kHz < f ≤ 4 GHz	±2,0 dB
	4 GHz < f ≤ 12,75 GHz	±4,0 dB
Transmitter intermodulation	For Operating band unwanted emissions	±2,5 dB
	For ACLR	±2,2 dB
	For "Spurious emissions": f ≤ 2,2 GHz	±2,5 dB
	2,2 GHz < f ≤ 4 GHz	±2,8 dB
	f > 4 GHz	±4,5 dB
For co-existence requirements Interference signal	±2,8 dB ±1,0 dB	
Receiver spurious emissions	30 MHz ≤ f ≤ 4 GHz	±2,0 dB
	4 GHz < f ≤ 12,75 GHz	±4,0 dB

Parameter	Conditions	Uncertainty
Blocking characteristics	In-band blocking, using modulated interferer	±1,6 dB
	Out of band blocking, using CW interferer: 1 MHz < $f_{\text{interferer}}$ ≤ 3 GHz 3 GHz < $f_{\text{interferer}}$ ≤ 12,75 GHz	±1,3 dB ±3,2 dB
Receiver intermodulation characteristics		±1,8 dB
Adjacent Channel Selectivity (ACS)		±1,4 dB
<p>NOTE 1: For RF tests, it should be noted that the uncertainties in table 5.3-1 apply to the test system operating into a nominal 50 Ω load and do not include system effects due to mismatch between the EUT and the Test System.</p> <p>NOTE 2: Annex G of ETSI TR 100 028-2 [i.6] provides guidance for the calculation of the uncertainty components relating to mismatch.</p> <p>NOTE 3: If the test system for a test is known to have a measurement uncertainty greater than that specified in table 5.3-1, this equipment can still be used, provided that an adjustment is made follows: any additional uncertainty in the test system over and above that specified in table 5.3-1 is used to tighten the test requirements - making the test harder to pass (for some tests, e.g. receiver tests, this may require modification of stimulus signals). This procedure will ensure that a test system not compliant with table 5.3-1 does not increase the probability of passing an EUT that would otherwise have failed a test if a test system compliant with table 5.3-1 had been used.</p>		

5.4 Essential radio test suites

All tests are carried out under normal environmental conditions unless otherwise specified.

5.4.1 Transmitter Spectrum Emission Mask

The purpose of this test to verify compliance of BS equipment to the transmitter spectrum emission mask requirements of clause 4.2.2.

5.4.1.1 Method of measurement

Figure 5.4.1.1-1 shows the test setup for testing BS spectrum emission masks.

In the case that BS supports multiple transmit antenna (antenna 1 to N):

- 1) If single transmit antenna is a valid mode of operation, steps 1 to 7 shall be performed on a selected single antenna port with P_{nom} transmit level.
- 2) To test the mode with multiple antenna enabled:
 - a) Steps 1 to 7 shall be repeated when all antenna are enabled with a total transmit power of P_{nom} (e.g. each antenna is transmitting at $P_{\text{nom}} - 10 \times \log_{10} N$ level).
 - b) The measurement results of step 4 are combined (measured power levels are added).
 - c) The combined measurement power is compared with the requirement thresholds.

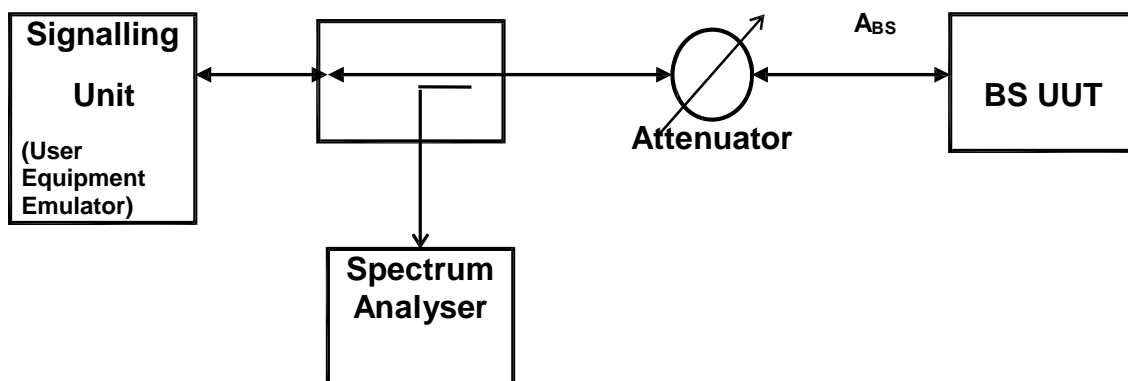


Figure 5.4.1.1-1: Test Setup for BS transmitter spectrum emission mask measurement

5.4.1.1.1 Initial conditions

The UUT shall be configured to operate at the P_{nom} level declared for the equipment.

For a UUT with antenna connector(s) and using external antenna(s), or for a UUT with integral antenna(s) but with a temporary antenna connector provided, conducted measurements shall be used.

For systems implementing dynamic change of the modulation order; this test shall be modified and executed accordingly to accurately capture transient behaviour. For example, if a system automatically operates at higher output power when lower order modulations are used, the test shall correctly capture this effect. There may be a need for manufacturers to include information to identify the correct test conditions.

In spectrum analyser, set the resolution bandwidth according to appropriate table in clause 4.2.2.2 and also set the video bandwidth to value of three times the measurement bandwidth. True RMS detector shall be used.

5.4.1.1.2 Procedure

- Step 1 Set the RF channel to the lowest channel centre frequency from the declared range.
- Step 2 Make sure the data link connection has been established between BS UUT and Signalling Unit.
- Step 3 The BS UUT is configured to transmit at P_{nom} as measured over the 5 MHz or 10 MHz of allocated bandwidth.
- Step 4 Measure and note the signal spectrum over the range specified in clause 4.2.2.2. Table 4.2.2.2.1-1 (or table 4.2.2.2.1-2) according to the specified measurement bandwidths in the tables. Note that measurement aggregation maybe needed to compare with specified numbers according to the 1 MHz measurement bandwidth in the tables.
- Step 5 Repeat steps 2 to 4 at the middle and highest RF channel centre frequencies from the declared range.
- Step 6 Repeat steps 1 to 5 for all modulation schemes supported by the equipment under test.
- Step 7 End of test.

5.4.1.2 Test requirements

For the BS UUT the signal spectrum recorded in the steps above for each of the RF channel centre frequencies and supported modulation schemes shall meet the requirements of clause 4.2.2.2 for the appropriate channel bandwidth supported.

5.4.2 Transmitter Adjacent Channel Leakage Power Ratio

The purpose of this test to verify compliance of BS equipment to the transmitter adjacent channel leakage power ratio requirements of clause 4.2.3.

5.4.2.1 Method of measurement

Figure 5.4.2.1-1 shows the test setup for testing the BS ACLR.

In the case that BS supports multiple transmit antenna (antenna 1 to N):

- 1) If single transmit antenna is a valid mode of operation, steps 1 to 11 shall be performed on a selected single antenna port with P_{nom} transmit level.
- 2) To test the mode with multiple antenna enabled:
 - a) Steps 1 to 11 shall be repeated when all antenna are enabled with a total transmit power of P_{nom} (e.g. each antenna is transmitting at $P_{nom} - 10 \times \log_{10} N$ level).
 - b) The measurement results of steps 5 and 7 are combined (measured power levels are added).
 - c) The combined measurement power is compared with the requirements.

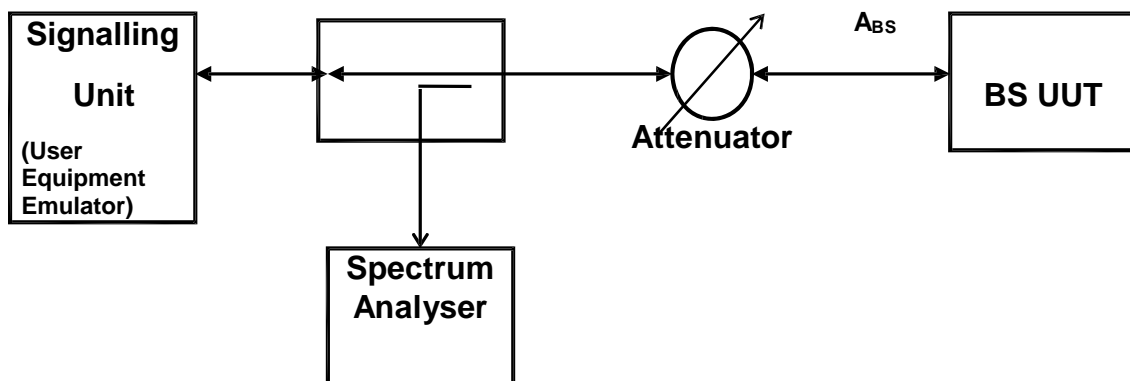


Figure 5.4.2.1-1: Test Setup for BS transmitter adjacent channel leakage ratio measurement

5.4.2.1.1 Initial conditions

The UUT shall be configured to operate at the P_{nom} level declared for the equipment.

For a UUT with antenna connector(s) and using external antenna(s), or for a UUT with integral antenna(s) but with a temporary antenna connector provided, conducted measurements shall be used.

For systems implementing dynamic change of the modulation order; this test shall be modified and executed accordingly to accurately capture transient behaviour. For example, if a system automatically operates at higher output power when lower order modulations are used, the test shall correctly capture this effect. There may be a need for manufacturers to include information to identify the correct test conditions.

5.4.2.1.2 Procedure

- Step 1 Set the RF channel to the lowest channel centre frequency from the declared range.
- Step 2 Make sure the data link connection has been established between BS UUT and Signalling Unit.
- Step 3 The spectrum analyser shall be correctly configured to measure the aggregated power. The BS UUT is configured to transmit at P_{nom} . Measurements should only be conducted during the transmission.

- Step 4 Measure the aggregated power measured over a frequency range equal to 4,75 MHz and 9,5 MHz (for 5 MHz and 10 MHz cases respectively) centred on the assigned channel frequency.
- Step 5 Average over a sufficient number of transmission.
- Step 6 Measure the aggregated power measured over a frequency range equal to 4,75 MHz and 9,5 MHz (for 5 MHz and 10 MHz cases respectively) for EVAL BW1 measurement centred on the first lower adjacent channel frequency which is 5 MHz (10 MHz for 10 MHz channel bandwidth) apart from operating RF channel centre frequency.
- Step 7 Average over a sufficient number of transmitted bursts to obtain a stable reading.
- Step 8 Calculate the ACLR by: (Power according to step 5) / (Power according to step 7).
- Step 9 Repeat steps 4 to 8 for the second adjacent (lower) RF channel (centre frequency 10 MHz for the 5 MHz channel bandwidth and 20 MHz for 10 MHz channel bandwidth, respectively, below the assigned channel frequency of the transmitted signal) and also for the first and second upper adjacent RF channel.
- Step 10 Run steps 2 to 9 at the middle and highest RF channel centre frequencies from the declared range.
- Step 11 End of test.

5.4.2.2 Test requirements

For the BS UUT the maximum power levels recorded in the steps above and the ACLR calculation for each of the RF channel centre frequencies shall meet the requirements of clause 4.2.3.2.

5.4.3 Transmitter spurious emissions

The purpose of this test to verify compliance of BS equipment to the transmitter spurious emission requirements of clause 4.2.4.

5.4.3.1 Method of measurement

Figure 5.4.3.1-1 shows the test setup for testing BS transmitter spurious emission requirement.

In the case that BS supports multiple transmit antenna (antenna 1 to N):

- 1) If single transmit antenna is a valid mode of operation, steps 1 to 6 shall be performed on a selected single antenna port with P_{nom} transmit level.
- 2) To test the mode with multiple antenna enabled:
 - a) Steps 1 to 6 shall be repeated when all antenna are enabled (e.g. each antenna is transmitting at $P_{nom} - 10 \times \log_{10} N$ level).
 - b) The measurement results of step 4 are combined (measured power levels are added).

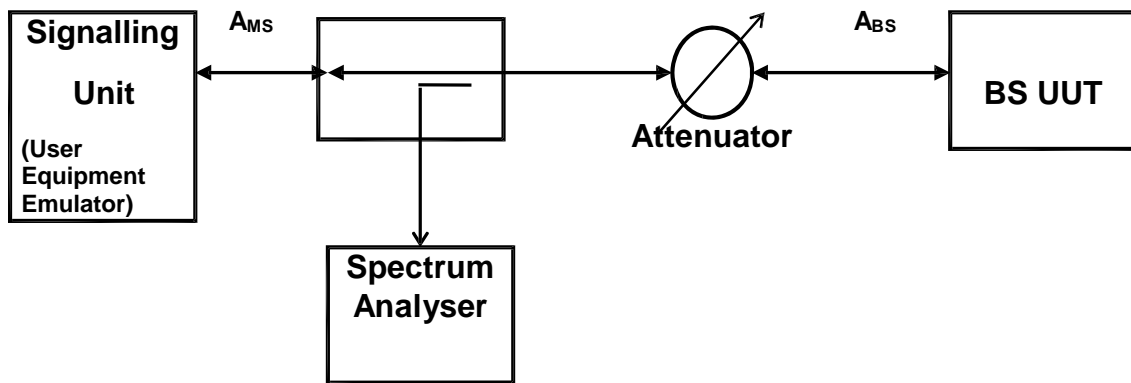


Figure 5.4.3.1-1: Test Setup for BS transmitter spurious emission measurement

5.4.3.1.1 Initial conditions

The UUT shall be configured to operate at the P_{nom} level declared for the equipment.

For a UUT with antenna connector(s) and using external antenna(s), or for a UUT with integral antenna(s) but with a temporary antenna connector provided, conducted measurements shall be used.

In spectrum analyser, set the measurement bandwidth as specified in the relevant tables 4.2.4.2.1-1, 4.2.4.2.2-1 and 4.2.4.2.3-1 of clause 4.2.4.2. Set the video bandwidth to value of three times the measurement bandwidth. True RMS detector shall be used.

For systems implementing dynamic change of the modulation order; this test shall be modified and executed accordingly to accurately capture transient behaviour. For example, if a system automatically operates at higher output power when lower order modulations are used, the test shall correctly capture this effect. There may be a need for manufacturers to include information to identify the correct test conditions.

5.4.3.1.2 Procedure

- | | |
|--------|---|
| Step 1 | Set the RF channel at lowest channel centre frequency from the declared range. |
| Step 2 | Ensure the data link connection has been established between BS UUT and Signalling Unit. Step |
| 3 | The BS UUT is configured to transmit at its P_{nom} output power as measured over the 5 MHz or 10 MHz of allocated bandwidth. |
| Step 4 | Measure and note the BS transmitter spurious emissions over the range specified in clause 4.2.4.2, tables 4.2.4.2.1-1, 4.2.4.2.2-1 and 4.2.4.2.3-1 according to the specified measurement bandwidths in the tables. |
| Step 5 | Repeat steps 2 to 4 at middle and highest RF channel centre frequencies from the declared range. |
| Step 6 | End of test. |

5.4.3.2 Test requirements

For the BS UUT the transmitter spurious emission levels recorded in the steps above for each of the RF channel centre frequencies shall meet the requirements of clause 4.2.4.2.

5.4.4 Base Station maximum output power

The purpose of this test to verify compliance of the BS equipment maximum output power accuracy in support of requirement of clause 4.2.5.

5.4.4.1 Method of measurement

Figure 5.4.4.1-1 shows the test setup for testing the BS transmitter spurious emission requirement.

In the case that BS supports multiple transmit antenna (antenna 1 to N):

- 1) If single transmit antenna is a valid mode of operation, steps 1 to 6 below shall be performed on a selected single antenna port.
- 2) To test the mode with multiple antenna enabled:
 - a) Steps 1 to 6 below shall be repeated when all antenna are enabled (e.g. each antenna is transmitting at $P_{nom} - 10\log_{10}(N)$ level).
 - b) Step 4 is modified to include total combined power (measured power levels are added over N antenna).

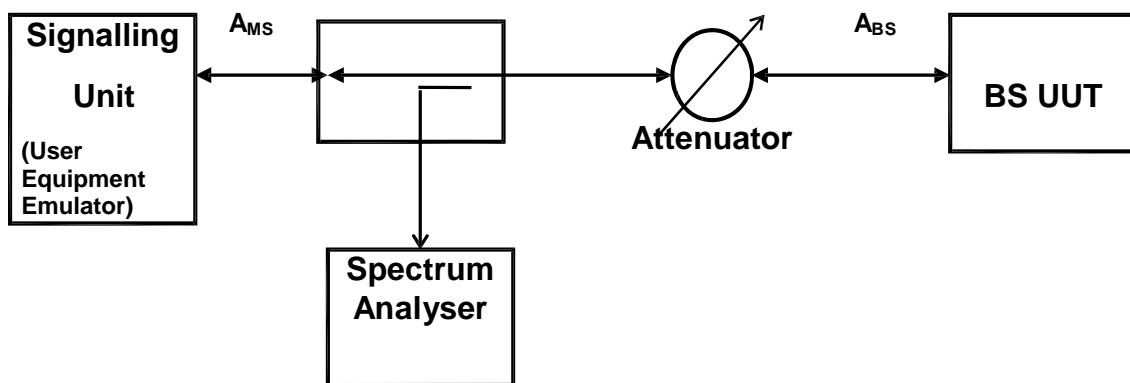


Figure 5.4.4.1-1: Test Setup for BS transmitter maximum output power measurement

5.4.4.1.1 Initial conditions

The UUT shall be configured to operate at its declared maximum output power (P_{nom}) under normal environmental conditions.

5.4.4.1.2 Procedure

- Step 1 Set the RF channel to the lowest channel centre frequency from the declared range.
- Step 2 Make sure the data link connection has been established between BS UUT and Signalling Unit.
- Step 3 The BS UUT is configured to continuously transmit at its declared maximum output power (P_{nom}) as measured over the 5 MHz or 10 MHz of allocated bandwidth.
- Step 4 Measure and note the actual maximum output power level (P_{max}) for compliance with maximum output power tolerance to the declared nominal maximum output power (P_{nom}) of clause 4.2.5.
- Step 5 Repeat steps 3 and 4 at the middle and highest RF channel centre frequencies from the declared range.
- Step 6 Repeat steps 1 to 5 under extreme environmental conditions TL/VL, TL/VH, TH/VL and TH/VH (see annex B) for one RF channel centre frequency from the declared range only.
- Step 7 End of test.

5.4.4.2 Test requirements

For the BS UUT the maximum power levels recorded in the steps above for each of the RF channel centre frequencies and environmental conditions shall meet the requirements of clause 4.2.5.2.

5.4.5 Transmitter Intermodulation

The purpose of this test to verify compliance with the transmit intermodulation requirements of clause 4.2.6.

5.4.5.1 Method of measurement

Figure 5.4.5.1-1 shows the test setup for testing BS transmitter intermodulation requirement.

In the case that BS supports multiple transmit antenna, steps 1 to 5 in clause 5.4.5.1.2 shall be performed on a selected single antenna port. Unused ports shall be properly terminated.

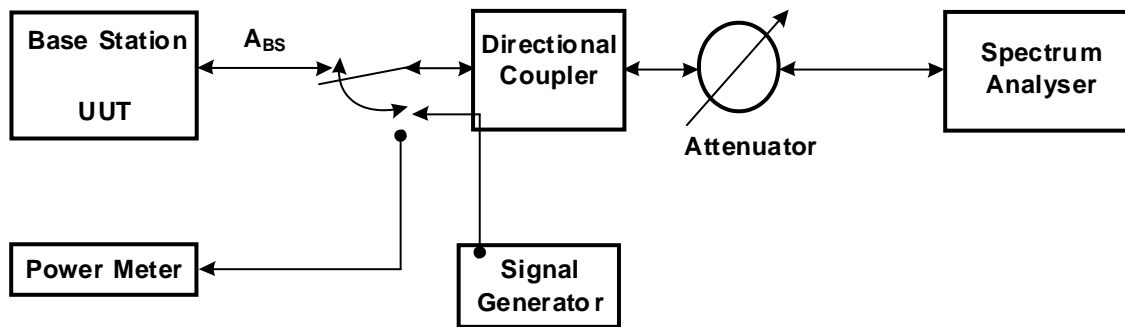


Figure 5.4.5.1-1: Test Setup for transmit intermodulation measurement

5.4.5.1.1 Initial conditions

Configure the signal generator to produce an interference signal with a mean power level of 30 dB lower at the BS UUT antenna connector than that of the BS UUT transmitted signal. The interference signal shall utilize modulation and coding equal to those of the BS transmitted signal, and the active time slots of both signals shall be synchronized.

The BS UUT shall be configured to operate at the P_{nom} level declared for the equipment.

Switch on the interfering signal.

5.4.5.1.2 Procedure

- Step 1 For the 5 MHz channel bandwidth case set the centre frequency of the interference signal to be -5 MHz offset from the BS transmitted signal centre frequency. For the 10 MHz channel bandwidth case, set the centre frequency of the interference signal to be -10 MHz offset from the BS transmitted signal centre frequency.
- Step 2 Apply the test procedures described in clauses 5.4.1.1, 5.4.2.1 and 5.4.3.1 at the frequencies of all third and fifth order intermodulation products. The frequency band occupied by the interference signal is excluded from the measurements.
- Step 3 Repeat step 2 with the interfering signal centre frequency offset set to be +5 MHz or +10 MHz with respect to the BS transmitted signal centre frequency according to the system channel bandwidth under test.
- Step 4 Repeat steps 2 and 3 with the interfering signal centre frequency offset set to be ±10 MHz and then ±15 MHz with respect to the BS transmitted signal centre frequency for the 5 MHz channel bandwidth case. For the 10 MHz channel bandwidth case repeat steps 2 and 3 with the interfering signal centre frequency offset set to be ±20 MHz and then ±30 MHz with respect to the BS transmitted signal centre frequency.
- Step 5 End of test.

5.4.5.2 Test requirements

The BS UUT shall meet the requirements of clause 4.2.6.2 for each of the interfering signal offsets identified above.

5.4.6 Receiver spurious emissions

The purpose of this test to verify compliance of BS equipment to the transmitter spurious emission requirements of clause 4.2.7.

5.4.6.1 Method of measurement

Figure 5.4.6.1-1 shows the test setup for testing BS receiver spurious emission.

In the case that BS supports multiple transmit antenna (antenna 1 to N):

- 1) If single transmit antenna is a valid mode of operation, steps 1 to 6 shall be performed on a selected single antenna port with P_{nom} transmit level.
- 2) To test the mode with multiple antenna enabled:
 - a) Steps 1 to 6 shall be repeated when all antenna are enabled. (e.g. each antenna is transmitting at $P_{nom} - 10 \times \log_{10} N$ level).
 - b) Step 3 is modified to include total combined power (measured power levels are added over N antenna).
 - c) Step 4 is modified to include total combined power (measured power levels are added over N antenna).

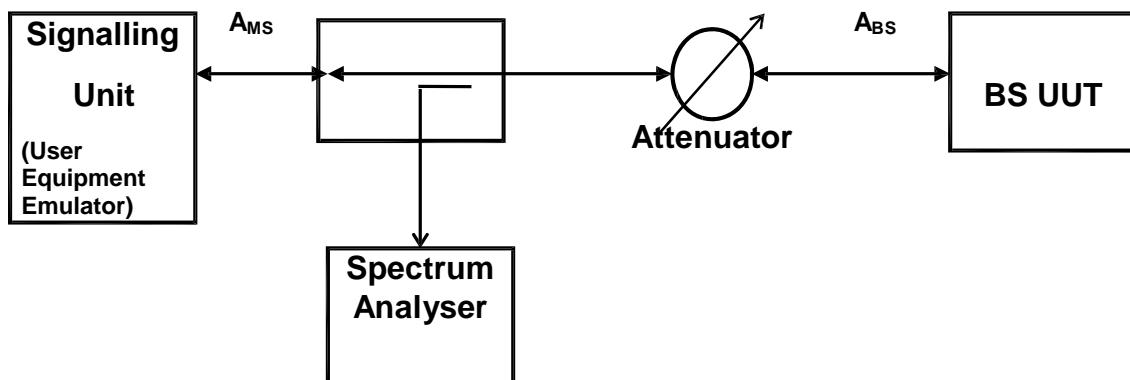


Figure 5.4.6.1-1: Test Setup for BS receiver spurious emission measurement

5.4.6.1.1 Initial conditions

In spectrum analyser, set the measurement bandwidth as specified in the relevant table 4.2.7.2-1 of clause 4.2.7. Set the video bandwidth to value of three times the measurement bandwidth. True RMS detector shall be used.

5.4.6.1.2 Procedure

- Step 1 Set the UUT to the RF channel corresponding to the lowest channel centre frequency from the declared range.
- Step 2 Make sure the data link connection has been established between BS UUT and Signalling Unit.
- Step 3 The BS UUT is configured to transmit at its P_{nom} output power as measured over the 5 MHz or 10 MHz of allocated bandwidth.
- Step 4 Measure and note the BS receiver spurious emissions over the range specified in clause 4.2.7 table 4.2.7.2-1 according to the specified measurement bandwidths in the tables.
- Step 5 Repeat steps 2 to 4 at middle and highest RF channel centre frequencies from the declared range.
- Step 6 End of test.

5.4.6.2 Test requirements

For the BS UUT the measured receiver spurious emission levels recorded in the steps above for each of the RF channel centre frequencies shall meet the requirements of clause 4.2.7.2.

5.4.7 Receiver Adjacent Channel Selectivity (ACS)

The purpose of this test to verify compliance of BS equipment to receiver adjacent channel selectivity requirements of clause 4.2.8.

5.4.7.1 Method of measurement

The interfering source shall be a conforming unsynchronized signal with the same signalling technology as the in-channel signal.

Figure 5.4.7.1-1 shows the test setup for testing BS receiver adjacent channel selectivity.

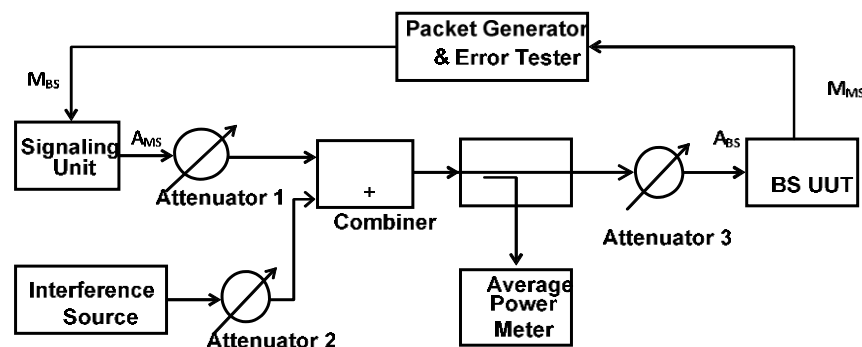


Figure 5.4.7.1-1: Test Setup for BS receiver adjacent channel selectivity measurement

5.4.7.1.1 Initial conditions

Set the interfering source to the first adjacent channel operating frequency in accordance with tables 4.2.8.2-1 or 4.2.8.2-2. Set the interfering signal source bandwidth to be the same as the in-channel operating bandwidth. Turn the interfering source off.

5.4.7.1.2 Procedure

Test case for 5 MHz channel bandwidth

- | | |
|--------|---|
| Step 1 | Set the UUT and signalling unit to the RF channel corresponding to the lowest channel centre frequency from the declared range. |
| Step 2 | Adjust the received signal level at A_{UUT} to be 3 dB above the sensitivity level P_{SENS5} for 5 MHz. |
| Step 3 | Turn on the interfering source and configure it to transmit at $F_c - 5$ MHz from the nominal (desired) operation frequency. |
| Step 4 | Increase the interfering source power to the interference level in table 4.2.8.2-1. |
| Step 5 | Perform a BER measurement and record the results. |
| Step 6 | Turn the interference source off. |
| Step 7 | Set the interfering source to the second adjacent channel operating frequency. Repeat the steps 2 to 6 above for the test cases shown in table 4.2.8.2-1. |
| Step 8 | Reset the interfering source to the first adjacent channel operating frequency and repeat the steps 2 to 7 at the middle and highest RF channel centre frequencies from the declared frequency range. |

Step 9 End of test.

Test case for 10 MHz channel bandwidth

- Step 1 Set the UUT and signalling unit to the RF channel corresponding to the lowest channel centre frequency from the declared range.
- Step 2 Adjust the received signal level at A_{UUT} to be 3 dB above the sensitivity level P_{SENS10} for 10 MHz.
- Step 3 Turn on the interfering source and configure it to transmit at $F_c - 10$ MHz from the nominal (desired) operation frequency.
- Step 4 Increase the interfering source power to the interference level in table 4.2.8.2-2.
- Step 5 Perform a BER measurement and record the results.
- Step 6 Turn the interference source off.
- Step 7 Set the interfering source to the second adjacent channel operating frequency. Repeat the steps 2 to 6 above for the test cases shown in table 4.2.8.2-2.
- Step 8 Reset the interfering source to the first adjacent channel operating frequency and repeat the steps 2 to 7 at the middle and highest RF channel centre frequencies from the declared frequency range.
- Step 9 End of test.

5.4.7.2 Test requirements

For the BS UUT the worst case BER measurement recorded in steps above for each of the RF channel centre frequencies shall meet the requirements of clause 4.2.8.2.

5.4.8 Receiver blocking characteristics

The purpose of this test is to verify compliance of BS equipment to the receiver blocking characteristic requirements of clause 4.2.9.

5.4.8.1 Method of measurement

The interfering source shall be a conforming unsynchronized signal with the same signalling technology as the in-channel signal.

In the case that the BS supports multiple receive antennas (antenna 1 to N), a single channel is connected to the multiple antenna ports through a splitter. In this case, the test system is calibrated to the antenna ports to take into account splitter losses and identical signals and power levels ($\pm 0,3$ dB) are applied to each antenna port.

Figure 5.4.8.1-1 shows the test setup for the receiver blocking test.

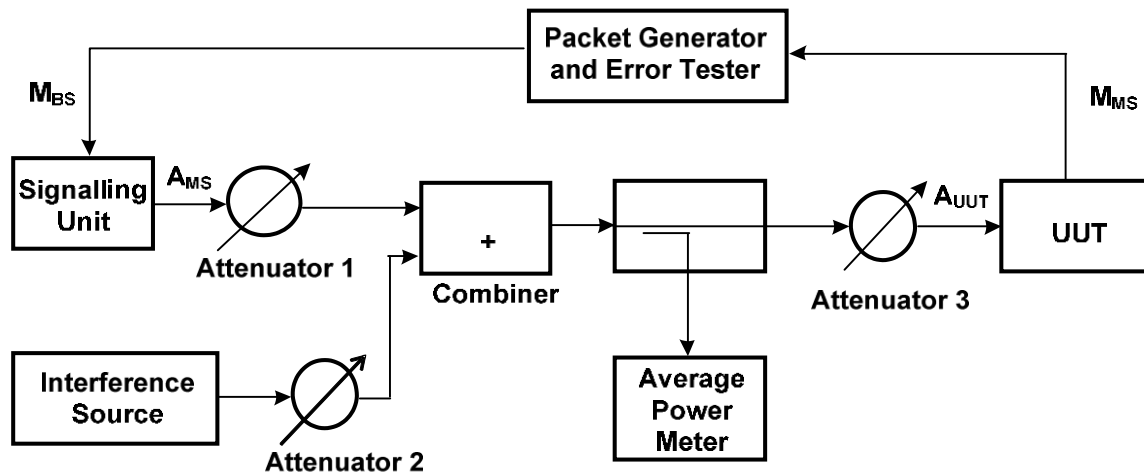


Figure 5.4.8.1-1: Test Setup for BS receiver blocking measurement

5.4.8.1.1 Initial conditions

Set the interfering signal source bandwidth to be the same as the in-channel operating bandwidth and operating on an interfering source centre frequency in accordance with tables 4.2.9.2-1, 4.2.9.2-2, 4.2.9.2-3 or 4.2.9.2-4 according to the system channel bandwidth under test. Set the interfering signal mean power to the level identified in tables 4.2.9.2-1, 4.2.9.2-2, 4.2.9.2-3 or 4.2.9.2-4.

Turn the interfering source off.

5.4.8.1.2 Procedure

- Step 1 Set the UUT and signalling unit to the RF channel corresponding to the lowest channel centre frequency from the declared range.
- Step 2 Adjust the received signal level at A_{UUT} to be 6 dB above the sensitivity level P_{SENS5} or P_{SENS10} under AWGN channel condition.
- Step 3 Turn on the interfering source.
- Step 4 Step the interfering signal generator frequency through the frequency range indicated in tables 4.2.9.2-1, 4.2.9.2-2, 4.2.9.2-3 or 4.2.9.2-4 according to the system channel bandwidth under test, with a step size of 1 MHz.
- Step 5 Measure the BER of the desired signal received for each step of the interfering frequency and record the results.
- Step 6 Record any interfering signal centre frequency at which the blocking requirement is not met.
- Step 7 Turn the interference source off.
- Step 8 Repeat the test procedure at middle and highest channel centre frequencies for the desired received signal from the declared range.
- Step 9 End of test.

5.4.8.2 Test requirements

For the BS UUT, the worst case BER measurement recorded in the steps above for each step of the interfering signal and at each of the RF channel centre frequencies shall meet the requirements of clause 4.2.9.2.

5.4.9 Receiver intermodulation characteristics

The purpose of this test is to verify compliance of BS equipment to the receiver intermodulation characteristic requirements of clause 4.2.10.

5.4.9.1 Method of measurement

The interfering source shall be a conforming unsynchronized signal with the same signalling technology as the in-channel signal.

In the case that the BS supports multiple receive antennas (antenna 1 to N), a single channel is connected to the multiple antenna ports through a splitter. In this case, the test system is calibrated to the antenna ports to take into account splitter losses and identical signals and power levels ($\pm 0,3$ dB) are applied to each antenna port.

Figure 5.4.9.1-1 shows the test setup for the receiver blocking test.

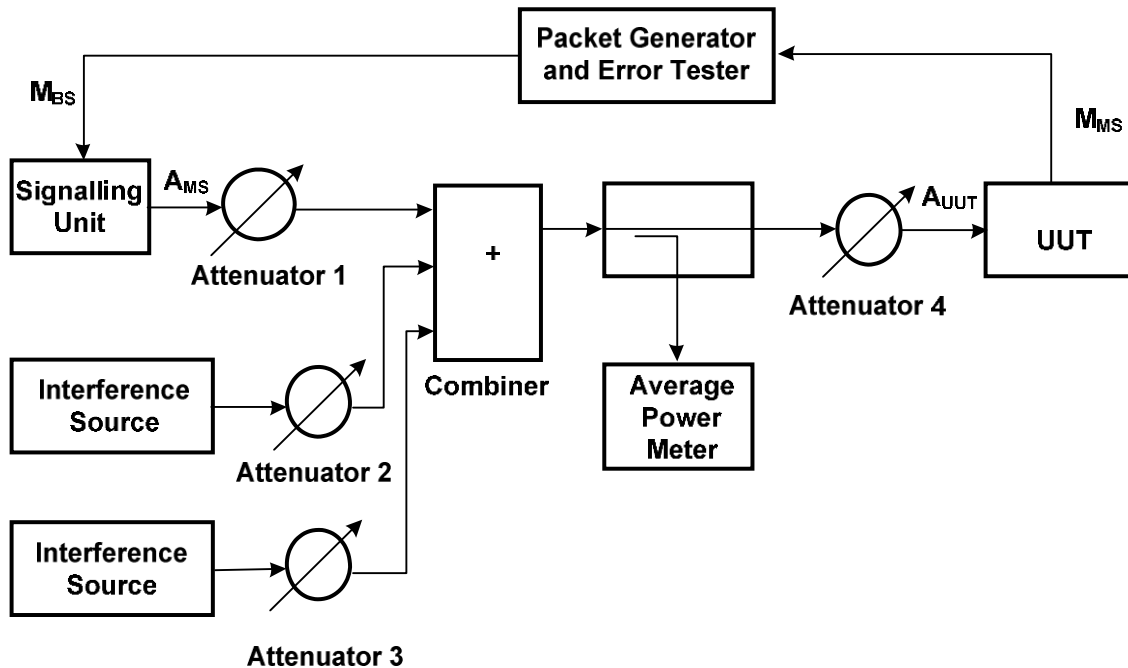


Figure 5.4.9.1-1: Test setup for receiver intermodulation response test

5.4.9.1.1 Initial conditions

Set the modulated interfering signal source bandwidth to be the same as the in-channel operating bandwidth. Set the interfering source centre frequency to have a positive frequency offset from the upper wanted channel edge in accordance with tables 4.2.10.2-1 or 4.2.10.2-2 according to the system channel bandwidth under test. Set the modulated interfering signal mean power to the level identified in tables 4.2.10.2-1 or 4.2.10.2-2 according to the system channel bandwidth under test.

Set the CW interfering signal frequency to have a positive frequency offset from the upper wanted channel edge in accordance with tables 4.2.10.2-1 or 4.2.10.2-2 according to the system channel bandwidth under test. Set the CW interfering signal mean power to the level identified in tables 4.2.10.2-1 or 4.2.10.2-2 according to the system channel bandwidth under test.

Turn the interfering sources off.

5.4.9.1.2 Procedure

- Step 1 Set the UUT and signalling unit to the RF channel corresponding to the lowest channel centre frequency from the declared range.
- Step 2 Adjust the received signal level at A_{UUT} to be 6 dB above the sensitivity level $P_{SENS} + 6$ dB under AWGN channel condition.
- Step 3 Turn on the interfering sources.
- Step 4 Measure the BER of the desired signal received and record the results.

Step 5	Turn the interfering sources off.
Step 6	Reconfigure the interfering sources to transmit with negative frequency offsets from the lower wanted channel edge as defined in tables 4.2.10.2-1 or 4.2.10.2-2 according to the system channel bandwidth under test.
Step 7	Turn on the interfering sources.
Step 8	Measure the BER of the desired signal received and record the results.
Step 9	Turn the interfering sources off.
Step 10	Repeat the test procedure at middle and highest channel centre frequencies for the desired received signal from the declared range.
Step 11	End of test.

5.4.9.2 Test requirements

For the BS UUT the worst case BER measurement recorded in the steps above for each of the RF channel centre frequencies shall meet the requirements of clause 4.2.10.2.

5.4.10 Receiver reference sensitivity level

5.4.10.1 Method of test

The test requirement is in WiMAX Forum® document WMF-T25-002-R010v06 [1].

All of the items below are found in this document:

- Clause 10.1.6: BS receiver sensitivity.
- Appendix 1 (This section provides generic test packets, receiver sensitivity requirements, Bit Error Rate (BER) to Packet Error Rate (PER) conversion and Qualitative tests versus Functional tests methodology).
- Appendix 3 (A 3.1 Measuring PER for MS. A 3.2 Measuring PER for BS).

5.4.10.2 Test requirement

The results obtained shall meet the limits defined in [1] in order to show compliance.

Annex A (normative): Relationship between the present document and the essential requirements of Directive 2014/53/EU

The present document has been prepared under the Commission's standardisation request C(2015) 5376 final [i.7] to provide one voluntary means of conforming to the essential requirements of Directive 2014/53/EU on the harmonisation of the laws of the Member States relating to the making available on the market of radio equipment and repealing Directive 1999/5/EC [i.2].

Once the present document is cited in the Official Journal of the European Union under that Directive, compliance with the normative clauses of the present document given in table A-1 confers, within the limits of the scope of the present document, a presumption of conformity with the corresponding essential requirements of that Directive, and associated EFTA regulations.

**Table A-1: Relationship between the present document and
the essential requirements of Directive 2014/53/EU**

Harmonised Standard ETSI EN 301 908-22				
The following requirements are relevant to the presumption of conformity under the article 3.2 of Directive 2014/53/EU [i.2]				
Requirement			Requirement Conditionality	
No	Description	Reference: Clause No	U/C	Condition
1	Transmitter Spectrum Emission Mask	4.2.2	U	
2	Transmitter adjacent channel leakage power ratio	4.2.3	U	
3	Transmitter spurious emissions	4.2.4	U	
4	Base Station Maximum output power	4.2.5	U	
5	Transmit Intermodulation	4.2.6	U	
6	Receiver spurious emissions	4.2.7	U	
7	Receiver adjacent channel selectivity	4.2.8	U	
8	Receiver blocking characteristics	4.2.9	U	
9	Receiver intermodulation characteristics	4.2.10	U	
10	Receiver Reference Sensitivity Level	4.2.11	U	

Key to columns:

Requirement:

No	A unique identifier for one row of the table which may be used to identify a requirement.
Description	A textual reference to the requirement.
Clause Number	Identification of clause(s) defining the requirement in the present document unless another document is referenced explicitly.

Requirement Conditionality:

U/C	Indicates whether the requirement shall be unconditionally applicable (U) or is conditional upon the manufacturer's claimed functionality of the equipment (C).
Condition	Explains the conditions when the requirement shall or shall not be applicable for a requirement which is classified "conditional".

Presumption of conformity stays valid only as long as a reference to the present document is maintained in the list published in the Official Journal of the European Union. Users of the present document should consult frequently the latest list published in the Official Journal of the European Union.

Other Union legislation may be applicable to the product(s) falling within the scope of the present document.

Annex B (normative): Environmental profile specification

The following environmental conditions may be declared by the manufacturer:

- barometric pressure: minimum and maximum;
- temperature: normal and minimum/maximum extremes;
- relative humidity: minimum and maximum;
- power supply: normal and lower/upper voltage extremes.

Where an extreme environment is required then the various combinations of extreme temperatures together with the extreme voltages are shown below:

- Low extreme Temperature/Low extreme Voltage (TL/VL);
- Low extreme Temperature/High extreme Voltage (TL/VH);
- High extreme Temperature/Low extreme Voltage (TH/VL);
- High extreme Temperature/High extreme Voltage (TH/VH).

Annex C (informative):
Void

Annex D (informative): Bibliography

Directive 2004/108/EC of the European Parliament and of the Council of 15 December 2004 on the approximation of the laws of the Member States relating to electromagnetic compatibility and repealing Directive 89/336/EEC (EMC Directive).

Directive 2006/95/EC of the European Parliament and of the Council of 12 December 2006 on the harmonisation of the laws of Member States relating to electrical equipment designed for use within certain voltage limits (LV Directive).

WMF-T23-005-R015v04: "WiMAX Forum® Air Interface specifications; WiMAX Forum® Mobile Radio Specification".

History

Document history		
V5.2.1	September 2011	Publication
V6.0.1	January 2016	EN Approval Procedure AP 20160420: 2016-01-21 to 2016-04-20
V6.1.0	May 2016	Vote V 20160712: 2016-05-13 to 2016-07-12
V6.1.1	July 2016	Publication